

**canfield connector**  
8510 Foxwood Court  
Youngstown, Ohio 44514  
(330) 758-8299 Fax: (330) 758-8912  
www.canfieldconnector.com

## SERIES 9F

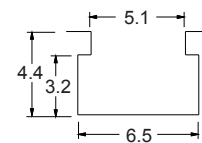
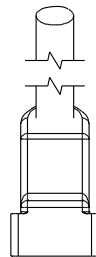
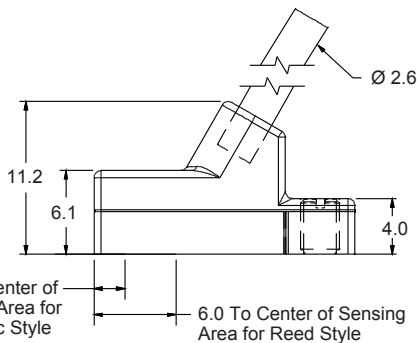
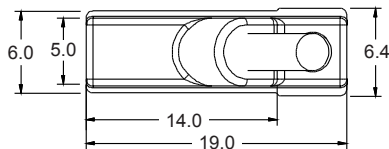
## REED & ELECTRONIC SENSORS FOR UNIVERSAL APPLICATIONS 4mm "T" SLOT

### General Description

The Canfield Connector Series 9F is a universal, ultra-small, magnetic proximity switch available in both solid state electronic and reed styles. These sensors are designed to fit the most stringent space requirements by using a 4mm "T" slot. The electronic sensor exhibits greater sensitivity to magnetism with reduced dead-band and hysteresis as compared to competitive devices. The reed sensor offers a wide operating voltage range. The molded switch has an on board indicator light that can be viewed from wide angles. Standard connection to the sensor is provided by a 9 ft. PVC or 8mm quick connect male pigtail. The rugged 20% glass-filled polypropylene switch is shipped with mounting hardware ready for installation.

### Dimensional Data

ALL DIMENSIONS ARE IN MILLIMETERS UNLESS OTHERWISE NOTED



GROOVE  
DIMENSIONS


### Technical Data

- Temperature Range: Operational from -20° to +80°C
- Shock: Operational up to 30G (11 ms.) reeds only. Not applicable for electronic.
- Vibration: Operational up to 20G (10 - 55 Hz) reeds only. Not applicable for electronic.
- Most versions designed to meet NEMA 6 / IP67 specifications
- Sensitivity and Orientation: 85 gauss parallel (standard for reeds)  
25 gauss parallel (standard for electronic)

### Features

- Small sensor fits most space requirements.
- Stand-alone mounting into any 4mm "T" slot (machined or extruded)
- Indicator light
- Corrosion and washdown resistance.
- Electronic sensing version (no moving parts)
- 60° wire outlet for close mounting
- Reverse polarity protection
- Compatible with IS (Intrinsically Safe) barriers
- High temperature versions available

## Ordering Information

9 F 10 - 0 0 0 - 

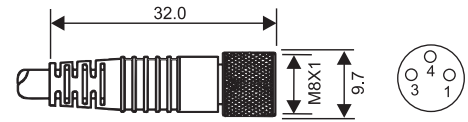
### Connection Options

- 0 - 9 ft PVC cable
- 3 - 8mm quick connect male pigtail\*

\*Mates with cordsets shown at right.

### Mating Cordsets

8mm female molded locking connectors



(for sensor types 01, 02, 31, 32)

Order part number

Brown = Pin 1  
Blue = Pin 3  
Black = Pin 4

RC08S-F0M030120 (2m length)  
RC08S-F0M030150 (5m length)

Type	Description	Function	Switching Voltage	Switching Current	Switching Power	Switching Speed	Voltage Drop	Magnetic Sensitivity
01	Reed Switch	Normally Open	0 - 120V AC/DC 50/60 Hz	0.25 Amps Max.	5 watts Max.	0.4 ms operate 0.1 ms release	0 Volts	85 Ga.
02	Reed Switch for PLC's, LED (current limiting)	SPST Normally Open	5 - 120V AC/DC 50/60 Hz	0.03 Amps Max. 0.001 Amps Min.	4 watts Max.	0.4 ms operate 0.1 ms release	3.5 Volts @ 5mA	85 Ga.
31	Electronic for Reed Magnet, LED & Sourcing	Normally Open (PNP)	5 - 28 VDC	0.2 Amps Max.	4.8 watts Max.	4 μs operate 4 μs release	1.0 Volts	25 Ga.
32	Electronic for Reed Magnet, LED & Sinking	Normally Open (NPN)	5 - 28 VDC	0.2 Amps Max.	4.8 watts Max.	4 μs operate 4 μs release	1.0 Volts	25 Ga.

### Ordering Example:

9F10-000-002

9 ft. PVC cable, reed switch for PLC's with LED,  
SPST, normally open, 5 - 120V AC/DC 50/60 Hz