

canfield connector
 8510 Foxwood Court
 Youngstown, Ohio 44514
 (330) 758-8299 Fax: (330) 758-8912
 www.canfieldconnector.com

SERIES D5400
ISO and MINI

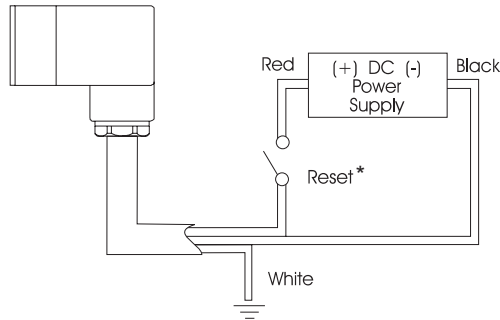
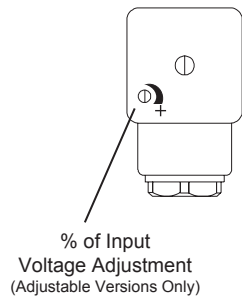
INSTALLATION GUIDE
Solenoid Driver Hold-In

How it Works

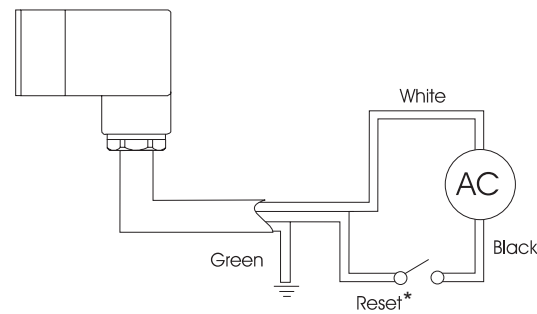
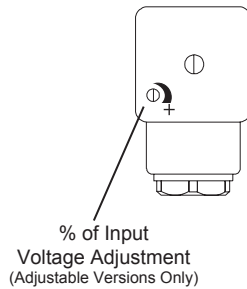
The MSD allows the input line voltage directly to the coil for a fixed single shot of 50 milliseconds. After that period, the MSD automatically pulses the input voltage to the coil. In either fixed or adjustable versions, the MSD turns the power on and off so fast that the armature does not respond. By adjusting the off period so that it is longer than the on period, the net RMS Voltage decreases and wattage is decreased. Many coils can be adjusted much lower than expected due to the high input voltage that is still entering the coil, but only in a smaller percentage of the time.



DC MSD



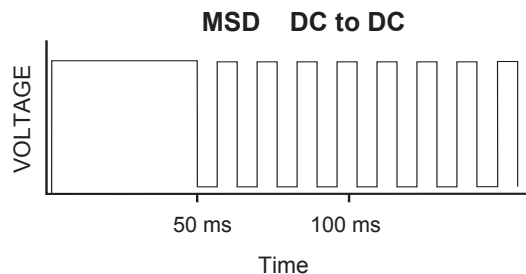
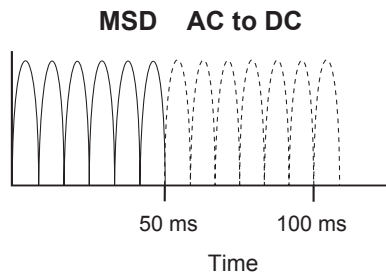
AC MSD



Note: To increase output, turn screw clockwise. To decrease output, turn screw counterclockwise.

*A toggle switch is recommended for applying power to MSD to ensure the 50ms one-shot occurs on power up.

Output Waveforms



Electrical Data

- Ambient temperature range: -20 to 50 °C
- Input voltage: AC or DC (in different versions)
- Maximum output current: 8 Amps inrush for 50 ms / 1 Amp holding
- Maximum input voltage tolerance: 10%
- Output voltage: DC
- Maximum allowable input DC ripple: 20% peak to peak

WARRANTY INFORMATION

The MSD and all other products manufactured by Canfield are warranted by Canfield to be free of defects in material and workmanship for a period of 1 year from date of purchase. Canfield's obligation under this warranty is limited to repair or replacement of the defective product or refund of the purchase price paid solely at the discretion of Canfield and provided such defective product is returned to Canfield freight prepaid and upon examination by Canfield such product is found to be defective. This warranty shall be void in the event that product has been subject to misuse, misapplication, improper maintenance, modification or tampering. This warranty is expressed in lieu of all other warranties, expressed or implied from Canfield Connector Div., representatives or employees.