



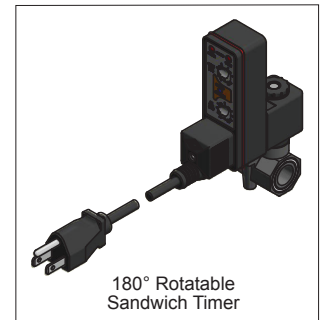
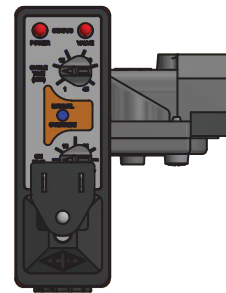
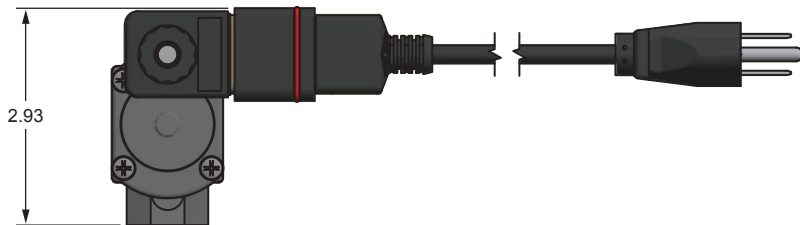
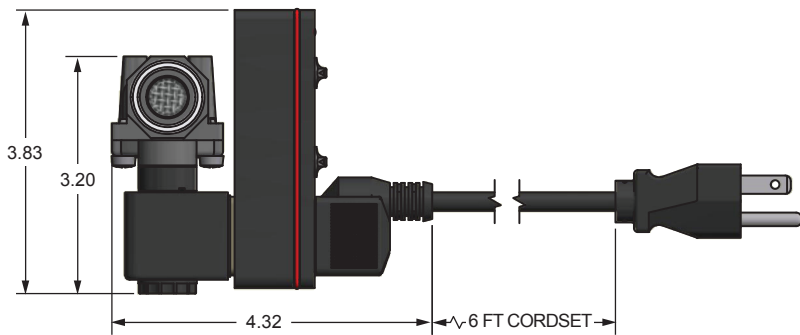
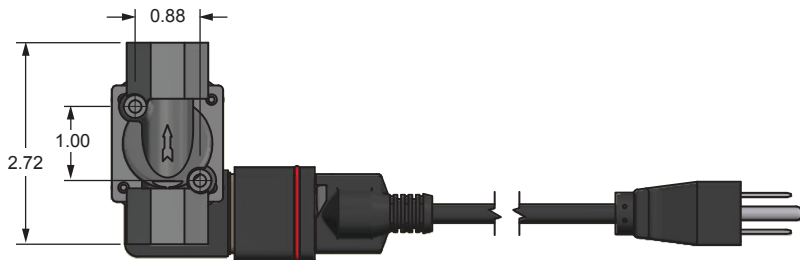
Series CRDV

Condensate Drain Condensation Removal Drain Valve

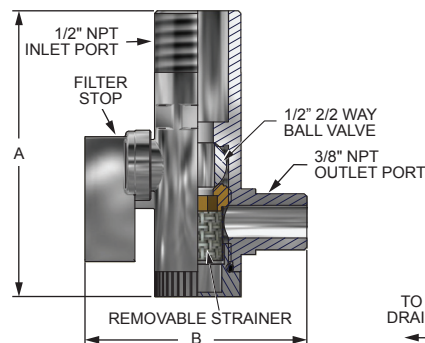
The Spartan Scientific Series CRDV (Condensation Removal Drain Valve) is a unique and efficient way to keep your air lines and tanks free of water with this robust electronic timed automatic drain valve. The unit installs in a modular form between an existing coil and connector with a plug and play design and retrofits on virtually any installation. The Cycle and On times are easily adjustable on the compact sandwich timer and features two status indicator lights. The Cycle Time drain has settings to release moisture every 1 to 45 minutes. The On Time setting allows you to set how long you want the valve open, 0.25 to 25 seconds. We offer a variety of Nylon or Brass valves depending on your application. These 2-Way, 2-Position, Normally Closed valves range from 1/4", 3/8", 1/2" or 1" NPT and can handle pressures up to 230 psi max. The Series CRDV offers its users the most versatile combination of timing and flow capacities in the industry today, and is proudly made in the USA.

Dimensional Data

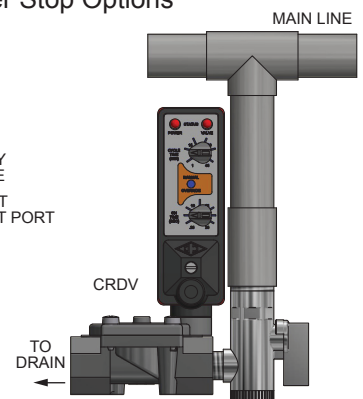
ALL DIMENSIONS ARE IN INCHES UNLESS OTHERWISE NOTED



Ball / Strainer Filter Stop Options



DIMENSIONAL TABLE		
Port NPT	A	B
1/2"	2.74"	2.27"
1/4"	2.73"	2.15"
3/8"	3.57"	2.14"





Series CRDV

Condensate Drain Condensation Removal Drain Valve

Technical Data

Function: 2-Way, 2-Position; Piloted Diaphragm; Normally Closed

3505
Port Size: 1/4" NPT / 1.55 Cv
Flow Factor: 3/8" NPT / 1.95 Cv
 1/2" NPT / 2.45 Cv

Orifice Size: 12.7 mm
Pressure Range: 0 to 230 psi
Response Time: 20 to 80 ms Complete Cycle
Valve Body: Brass

3585
Port Size: 1/4" NPT / 1.55 Cv
Flow Factor: 3/8" NPT / 1.95 Cv
 1/2" NPT / 2.45 Cv
Orifice Size: 12.7 mm
Pressure Range: 7 to 150 psi
Response Time: 20 to 80 ms Complete Cycle
Valve Body: Glass-Filled Nylon

6200
Port Size: 1/4" NPT / 1.55 Cv
Flow Factor: 3/8" NPT / 1.95 Cv
Orifice Size: 4.0 mm
Pressure Range: 0 to 250 psi
Response Time: 16 to 40 ms Complete Cycle
Valve Body: Glass-Filled Nylon

3685
Port Size: 3/4" NPT / 9.50 Cv
Flow Factor: 1" NPT / 14.0 Cv
Orifice Size: 28.5 mm
Pressure Range: 10 to 120 psi
Response Time: 80 to 120 ms Complete Cycle
Valve Body: PEI

Temp. Range: Fluid max.: +60°C
 Dry Range: Ambient +10° to +50°C

Media: Air, emulsion, water

Manual Override: Valve: Push non-locking (only available for 3505)
 Electronic: Push button (standard for all options)

Environment Protection: IP65 (IEC 144), NEMA 4. Dust-tight and water resistant (with electrical connector)

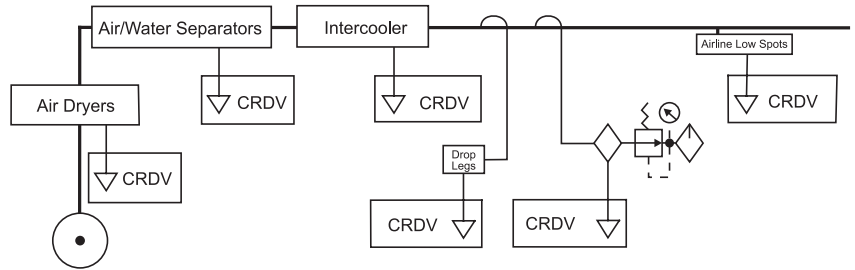
Mounting: In-line

Wetted Materials: Elastomers: EPDM, FKM, NBR
 Operator: 300 and 400 Series Stainless Steel; or Brass
 Orifice Basket: Acetal
 Shading Ring: Copper
 Springs: 300 Series Stainless Steel

Coil Data: (Pilot Option) Duty Cycle: Continuous (within specifications)
 Encapsulation: Glass-Filled Nylon
 Insulation: Class F
 Power Rating: 8.5 VA VAC (6200 11.5 VAC)
 Voltage: 120, 220, 240 VAC 50/60 Hz
 Voltage tolerance: +/- 10% Nominal
 Winding: Class H

Connections: DIN Spades: Accordance with DIN 43650
 Form "A" / ISO 4400, EN175301-803;2000
 Cable: 6 ft. cord set with ground wall plug (wall plug not available on other voltages)

Packaged Weight: 3505: 1.20 lbs. + 6200: 0.57 lbs. +
 3585: 0.50 lbs. + 3685: 0.78 lbs. +



How To Order

Port Size	Orifice	PSI	Construction
4 - 1/4" NPT	12.5mm	230 psi	Brass (3505)
5 - 3/8" NPT	12.5mm	230 psi	Brass (3505)
6 - 1/2" NPT	12.5mm	230 psi	Brass (3505)
J - 1/4" NPT	12.5mm	180 psi	Nylon (3585)
K - 3/8" NPT	12.5mm	180 psi	Nylon (3585)
L - 1/2" NPT	12.5mm	180 psi	Nylon (3585)
M - 1/4" NPT	4.0mm	135 psi	Nylon (6200)
N - 3/8" NPT	4.0mm	135 psi	Nylon (6200)
Q - 3/4" NPT	28.5mm	120 psi	Nylon (3685)
R - 1" NPT	28.5mm	120 psi	Nylon (3685)

CRDV - 2

Ball / Strainer
 0 - Without
 1 - With

Coil Options
 7 - 120 VAC 50/60 Hz
 8 - 220 VAC 50 Hz
 9 - 240 VAC 60 Hz

Order Example: CRDV-4270
 1/4" NPT, 12.5mm, 230 psi, Brass (3505)
 120 VAC 50/60 Hz, without Ball / Strainer

Note: CSA version available. Consult factory.

CONDENSATE DRAIN



P.O. Box 9792 • Boardman, Ohio 44513
 PH: (855)629-4648 • Fax: (330)758-3314
 www.spartanscientific.com